



**ELECTRIC WATER HEATERS**

- EUROPRISMA
- PICCOLO
- EUREKA
- WALL-HUNG
- CLASSICO HE
- AQUABRAVO



# Products designed to suit a wide range of applications from the World No.1 in Water Heating

We all need hot water for washing and cleaning, and the Ariston range of small water heaters is proof of this, just take a look at some of the places where Ariston products are used:

**Loft Conversions**

**Warehouses**

**Cloakrooms**

**Doctors' and Dentist's Surgeries**

**Utility Rooms**

**Airports**

**Cafes**

**Building Sites**

**Small Industrial Units**

As you can see Ariston have a range of products that are trusted to easily and economically fit into any situation, from the 5 litre Piccolo to the 30 litre Europrisma.

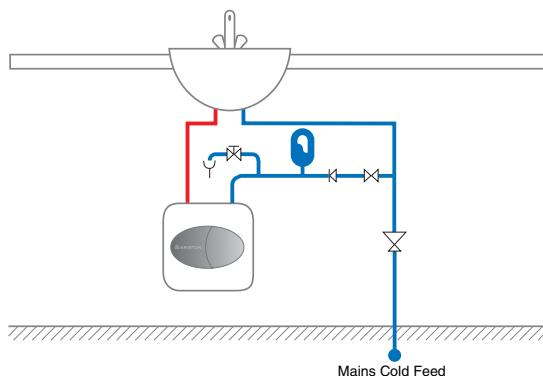
Scan here with a smart phone to see the Europrisma being installed...



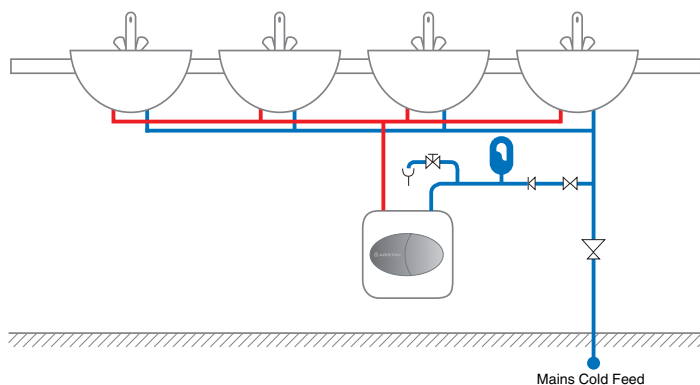
# Wide range of applications

## Heating

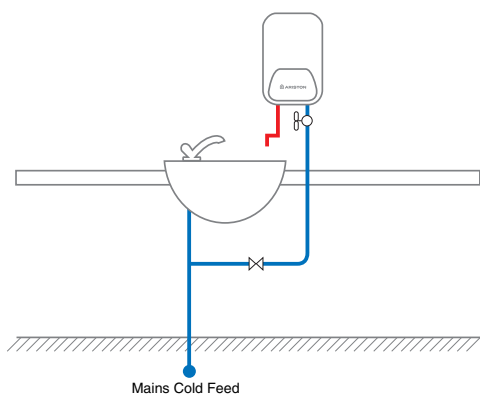
### 1 unvented single installation



### 2 unvented multiple installation



### 3 open outlet installation



If you want your hot water at mains pressure, then any of the water heaters can easily be connected to your incoming cold water main. Or, if your cold water comes from a storage tank, then the Eureka and Piccolo are ideally suited for connection to a gravity fed system.

It is important to note that the larger 30 litre Europrisma is subject to the requirements of Building Regulations and must be fitted by a fully qualified 'Competent Person' who holds the necessary certification.

Unvented units of 15 litres and under are not subject to the same regulations but should however only be fitted by a suitably trained person.

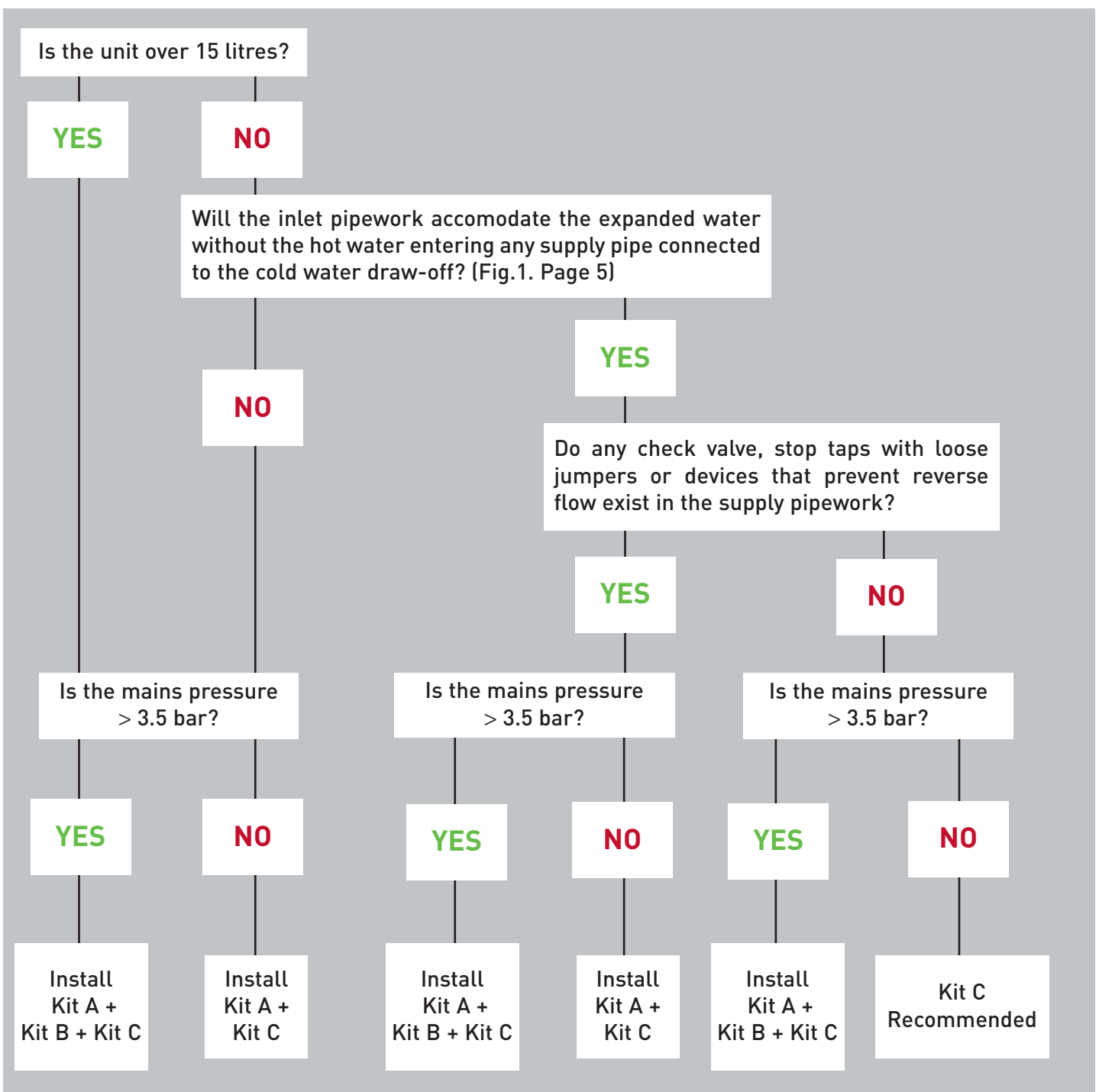
In addition to the above units, Ariston also has a complete range of larger unvented cylinders (80 litres to 500 litres), which are suitable for all domestic and light commercial applications.

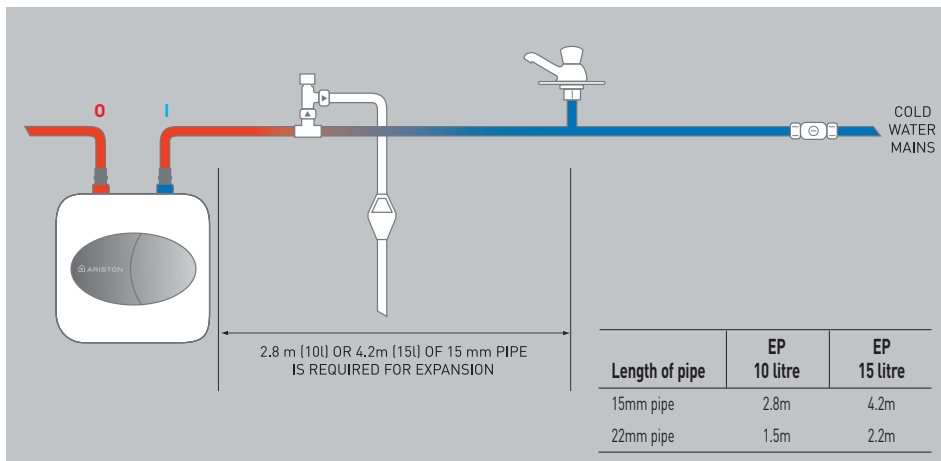
These innovative and easily installed products are detailed in the Ariston 'Unvented Cylinder' literature.

If you require further technical advice or information, our highly experienced technical advisors can be contacted on 0333 240 7777. Should you wish to achieve 'Competent Person' status then Ariston run training courses at various centres nationwide.

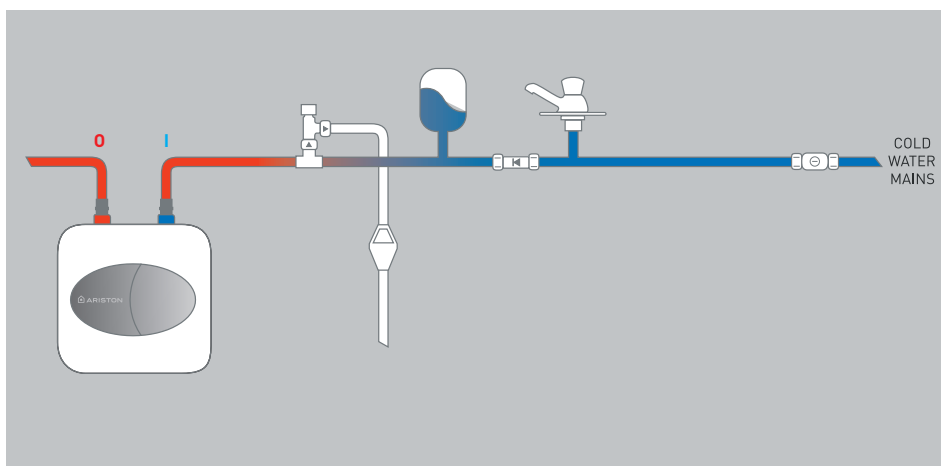
Our Training Co-ordinator can be contacted on 01494 755672.

The Europrisma 10 and 15 litre capacity units can be installed in a number of ways. The following guidelines are designed to help select the correct method prior to installation.

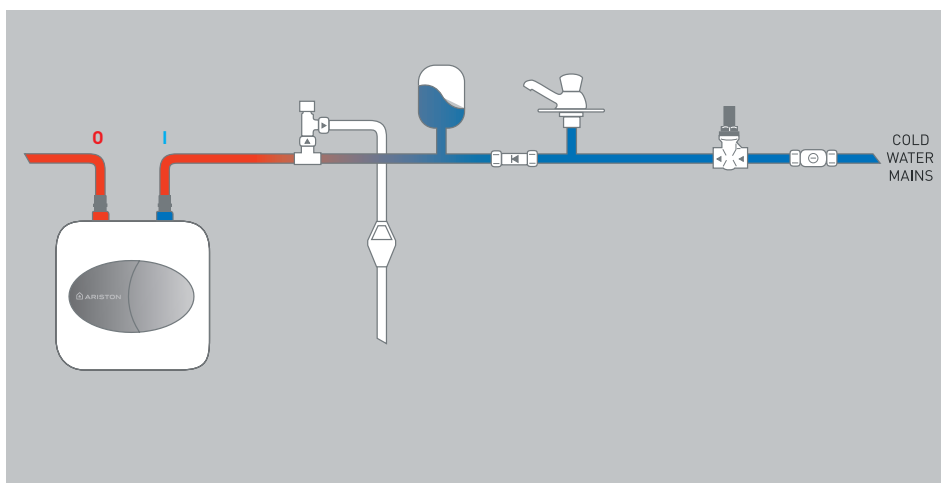




**USING FEED PIPE TO ACCOMMODATE EXPANSION**  
 Current Water Regulations and Byelaws permit unvented water heaters with capacity of 15 litres or less to accommodate the expansion of water that occurs during the heating cycle in the system pipe work. To achieve this the pipe work between the nearest cold water draw off and the water heater must be of sufficient volume to accommodate the expansion.



**USING AN EXPANSION KIT**  
 If it is not possible to accommodate the expansion in the system pipe work, it is then necessary to use an expansion vessel and non-return valve (Kit A).  
 The discharge from relief valves must be made in a safe and conspicuous manner; therefore a tundish (Kit C) is available for 10 and 15 litre units if required.



**USING AN EXPANSION KIT & PRESSURE REDUCING VALVE**  
 If it is not possible to accommodate the expansion in the system pipe work, it is then necessary to use an expansion vessel and non-return valve (Kit A). If the mains water pressure may exceed 3.5 bar a pressure reducing valve (Kit B) should also be installed.  
 The discharge from relief valves must be made in a safe and conspicuous manner; therefore a tundish (Kit C) is available for 10 and 15 litre units if required.



Optional Kit A:  
Expansion vessel and check valve

Optional Kit B:  
Pressure reducer with integral line-strainer

Optional Kit C:  
Tundish for 10 and 15 litre units

The Europrisma EP 30 R is covered by the Building Regulations and it is not permissible to accommodate the expansion water within the system pipework. Expansion controls must be installed. The EP 30 R is supplied with a tundish as standard.

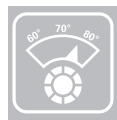


### OVER SINK AND UNDER SINK WATER HEATERS

- QUALITY STEEL TANK, WITH EXCLUSIVE VITREOUS ENAMEL COATING (GLASS LINING)
- REGULATION & SAFETY THERMOSTAT
- EXTERNAL TEMPERATURE CONTROL
- HEATING INDICATOR LIGHT
- SIMPLE INSTALLATION
- 3 YEAR TANK GUARANTEE (1 YEAR ON ELECTRICAL COMPONENTS)
- ENVIRONMENTALLY SOUND & HIGHLY EFFICIENT THERMAL INSULATION



ENAMELED STEEL TANK



TEMPERATURE REGULATION



ENVIRONMENTALLY FRIENDLY INSULATION



EP30 R ONLY

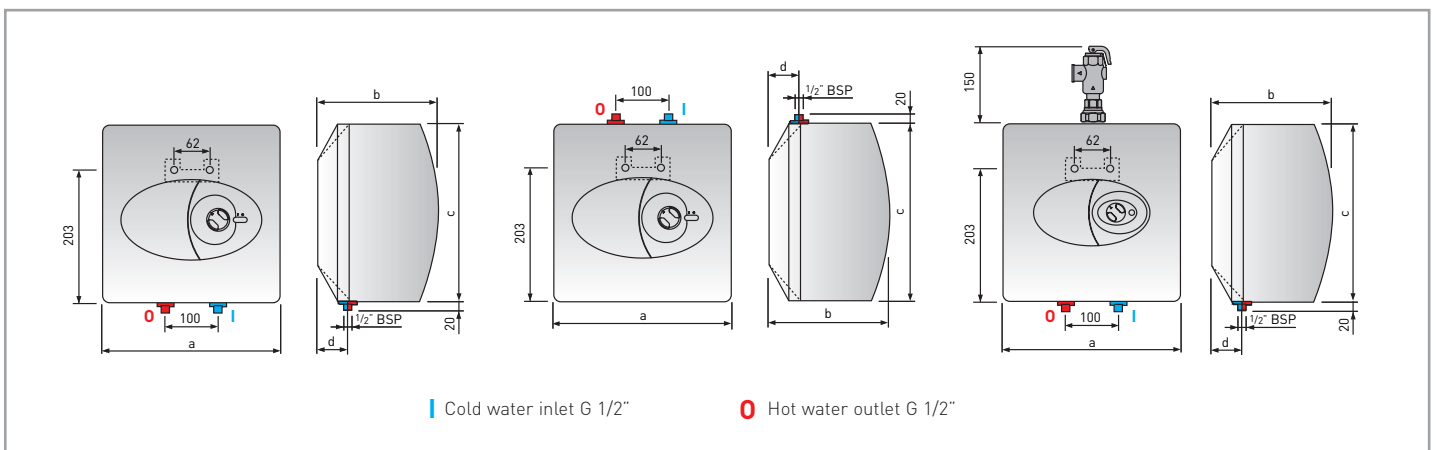


### Technical data - Overall dimensions

		EP 10 OR	EP 10 UR	EP 10 UR/2kW	EP 15 OR	EP 15 UR	EP 15 UR/2kW	EP 30 R		EP 10 OR	EP 10 UR	EP 10 UR/2kW	EP 15 OR	EP 15 UR	EP 15 UR/2kW	EP 30 R
Capacity	l	10	10	10	15	15	15	30	a mm	350	350	350	350	350	350	440
Power	W	3000	3000	2000	3000	3000	2000	3000	b mm	255	255	255	300	300	300	365
Voltage	V	240	240	240	240	240	240	240	c mm	350	350	350	350	350	350	440
Reheat time ( $\Delta T=50^{\circ}\text{C}$ )	min.	12	12	17	18	18	26	36	d mm	90	90	90	80	80	80	110
Max. Working Temp.	$^{\circ}\text{C}$	80	80	80	80	80	80	75								
Heat loss (kWh/24h) $60^{\circ}\text{C}$		0.50	0.67	0.67	0.70	0.87	0.87	0.90								
Typical application*		D	D	A	C/E/G	C/E/G	B	F/H								
Product Code		877066	877067	877068	877069	877070	877071	877072								

#### \*Typical application

- A: Low usage 1/2 basins/1 sink; (small kitchens, en suite bathrooms, loft conversions and cloakrooms)
- B: Low usage 2/3 basins/1 sink; (kitchens, garages, factories and WCs)
- C: Low usage 4/5 basins/2 sinks; (WC blocks)
- D: Medium usage 2/3 1/2 basins/1 sink
- E: Medium usage 2/3 basins/2 sinks
- F: Medium usage 4/5 basins/2 sinks
- G: Heavy usage 1/2 basins/1 sink
- H: Heavy usage 2/3 basins/1 sink



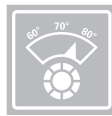


## OPEN OUTLET ELECTRIC STORAGE WATER HEATER

- OPEN OUTLET - SUITABLE FOR MAINS OR GRAVITY FEED
- MANUFACTURED FROM A CORROSION PROOF PLASTIC MATERIAL
- COMPLETELY RECYCLABLE AND ECOLOGICALLY SOUND
- EXTERNAL TEMPERATURE CONTROL
- HEATING INDICATOR LIGHT
- EQUIPPED WITH DIRECTIONAL SPOUT
- ILLUMINATED ON/OFF SWITCH
- CERAMIC DISC MIXING VALVE
- 10 YEAR TANK GUARANTEE (1 YEAR GUARANTEE ON ELECTRICAL COMPONENTS)



IP25D



TEMPERATURE REGULATION



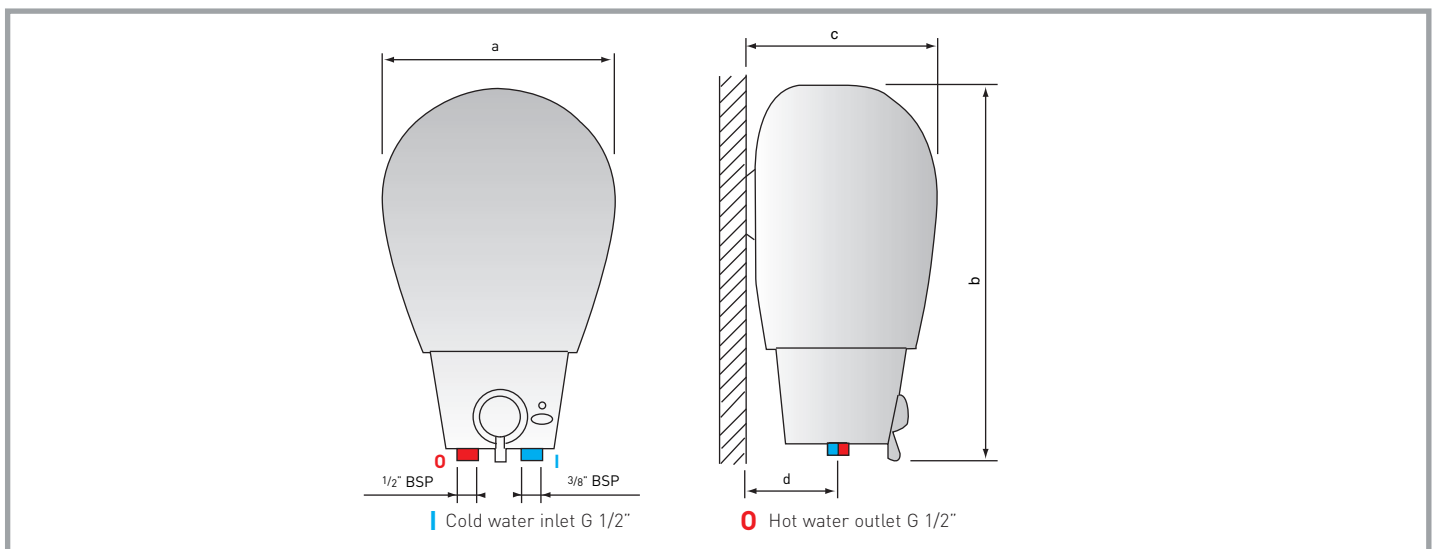
### Technical data - Overall dimensions

		EUREKA
Capacity	l	13
Power	W	2000
Voltage	V	240
Heating time ( $\Delta T = 50^{\circ}\text{C}$ )	min.	23
Maximum temperature	$^{\circ}\text{C}$	75
Product Code		410631

		EUREKA
a mm		320
b mm		490
c mm		230
d mm		130

#### Typical application

Low usage 1/2 basins/1 sink; (small kitchens, en suite bathrooms, loft conversions and cloakrooms)



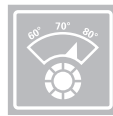


## OPEN OUTLET ELECTRIC STORAGE WATER HEATER

- OPEN OUTLET - SUITABLE FOR MAINS OR GRAVITY FEED
- MANUFACTURED FROM A CORROSION PROOF PLASTIC MATERIAL
- ILLUMINATED ON/OFF SWITCH
- EXTERNAL TEMPERATURE CONTROL
- HEATING INDICATOR LIGHT
- EQUIPPED WITH DIRECTIONAL SPOUT
- COMPLETELY RECYCLABLE AND ECOLOGICALLY SOUND
- 10 YEAR TANK GUARANTEE (1 YEAR GUARANTEE ON ELECTRICAL COMPONENTS)



IP25D



TEMPERATURE REGULATION

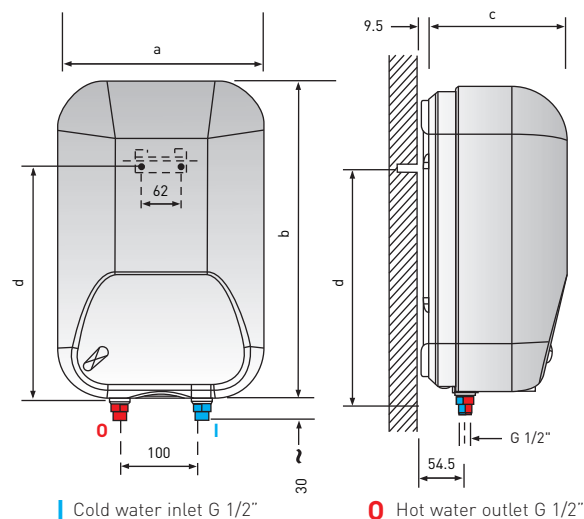


### Technical data - Overall dimensions

		PICCOLO ARKS 50	PICCOLO ARKS 50
Capacity	l	5	a mm 251
Power	W	2000	b mm 385
Voltage	V	240	c mm 174
Heating time ( $\Delta T = 50^{\circ}\text{C}$ )	min.	9	d mm 270
Maximum temperature	$^{\circ}\text{C}$	85	
Product Code		868871	

#### Typical application

Low usage 1/2 basins/1 sink; (small kitchens, en suite bathrooms, loft conversions and cloakrooms)





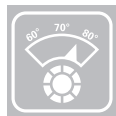


## WALL-HUNG UNVENTED CYLINDERS

- QUALITY STEEL TANK, 12 BAR PRESSURE TESTED AND EXCLUSIVE VITREOUS ENAMEL COATING
- ENVIRONMENTALLY SOUND AND HIGHLY EFFICIENT THERMAL INSULATION
- PROTECH ANTI-CORROSION SYSTEM
- INTERNAL REGULATION THERMOSTAT
- FACTORY FITTED 1/2" T&P RELIEF VALVE
- DUAL POLE THERMAL CUT-OUTS
- UNVENTED CONTROL KIT SUPPLIED WITH CYLINDER
- SPACE SAVING WALL FIXING
- SIMPLE INSTALLATION
- 10 YEAR TANK GUARANTEE (2 YEAR GUARANTEE ON ELECTRICAL COMPONENTS)



ENAMELLED STEEL TANK



TEMPERATURE REGULATION



ENVIRONMENTALLY FRIENDLY INSULATION

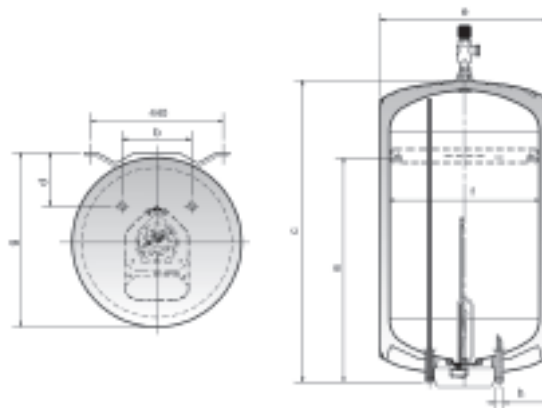


## Technical data - Overall dimensions

Model	ST 100		ST 100	
Product Code	893168/406814			
Nominal capacity	l	100	a mm	530
Weight empty	kg	41	b mm	230
Weight full	kg	141	c mm	750
Voltage	V	240	d mm	175
Power	kW	3	e mm	560
Reheat time ( $\Delta T = 50^{\circ}\text{C}$ )	min.	120	f mm	500
Max. Working Temp.	$^{\circ}\text{C}$	70	g mm	575
Typical application*		A	h mm	3/4"

\*\*Typical application

- A: domestic usage < 2 people (kitchen, bathroom)



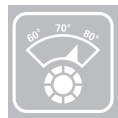


### HIGH EFFICIENCY FLOOR STANDING DIRECT UNVENTED CYLINDERS

- QUALITY STEEL TANK, 12 BAR PRESSURE TESTED AND EXCLUSIVE VITREOUS ENAMEL COATING (GLASS LINING)
- ENVIRONMENTALLY SOUND AND HIGHLY EFFICIENT THERMAL INSULATION
- ALL PLUMBING AND ELECTRICAL CONNECTIONS WITHIN A 90° ANGLE
- MAGNESIUM ANODES TO PROTECT AGAINST CORROSION
- IMMERSION HEATERS SUPPLIED WITH REGULATION THERMOSTATS AND DUAL POLE THERMAL CUT-OUTS
- FACTORY FITTED 1/2" T&P RELIEF VALVE
- UNVENTED CONTROL KIT SUPPLIED WITH CYLINDER
- SIMPLE INSTALLATION
- 5 YEAR TANK GUARANTEE (2 YEAR GUARANTEE ON ELECTRICAL COMPONENTS)



STAINLESS STEEL TANK



TEMPERATURE REGULATION



ENVIRONMENTALLY FRIENDLY INSULATION



### Technical data - Overall dimensions

Model Product Code	STD 125 HE 3060267	STD 150 HE 3060268	STD 210 HE 3060269	STD 300 HE 3060270	STD 500 HE 3060275	
Nominal capacity	l	125	150	200	300	495
Weight empty	kg	42	49	54	94	130
Weight full	kg	167	199	254	394	625
Voltage	V	240	240	240	240	240/415
Power	kW	3+3	3+3	3+3	3+3	6
Reheat time* (ΔT= 45°C)	h:min.	2:28	2:48	3:46	5:14	4:37
Reheat time** (ΔT= 45°C)	h:min.	1:46	2:10	3:54	4:37	3:18
Max. Working Temp.	°C	70	70	70	70	70
Typical application***	D	E	F	G	H/I	

	STD 125 HE	STD 150 HE	STD 210 HE	STD 300 HE	STD 500 HE
a mm	666	806	956	1199	1390
b mm	763	921	1237	1540	335
c mm	1024	1182	1498	1792	1870
d mm	550	550	550	600	-
e mm	281	281	281	259	714

\* Based on single heating element 100% capacity  
 \*\* Based on single heating element 70% capacity

\*\*\*Typical application

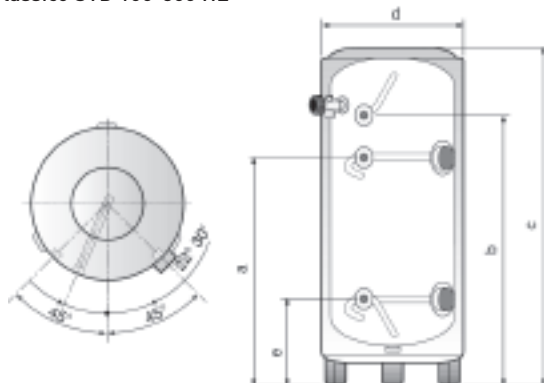
D: domestic usage <3 people (kitchen, shower)  
 E: domestic usage 3/4 people (kitchen, bathroom + shower)

F: domestic usage 4/5 people (kitchen, 2 bathrooms)

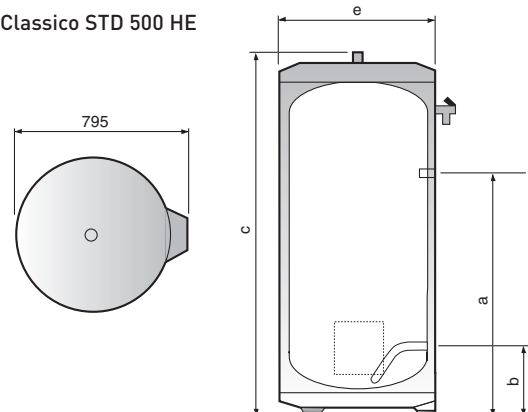
G: domestic usage 5 people (kitchen, 2 bathrooms + shower)

H: above average household use  
 I: light commercial use

Classico STD 100-300 HE



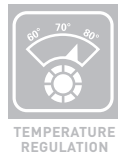
Classico STD 500 HE





### HIGH EFFICIENCY FLOOR STANDING DIRECT UNVENTED CYLINDERS

- QUALITY STAINLESS STEEL TANK, 12 BAR PRESSURE TESTED
- ENVIRONMENTALLY SOUND AND HIGHLY EFFICIENT THERMAL INSULATION
- IMMERSION HEATERS SUPPLIED WITH REGULATION THERMOSTAT AND DUAL POLE THERMAL CUT-OUT
- FACTORY FITTED 1/2" T&P RELIEF VALVE
- UNVENTED CONTROL KIT SUPPLIED WITH CYLINDER
- SIMPLE INSTALLATION
- 25 YEAR TANK GUARANTEE (2 YEAR GUARANTEE ON ELECTRICAL COMPONENTS)
- OZONE DEPLETION POTENTIAL (ODP) 0
- GLOBAL WARMING POTENTIAL (GWP) <5



### Technical data - Overall dimensions

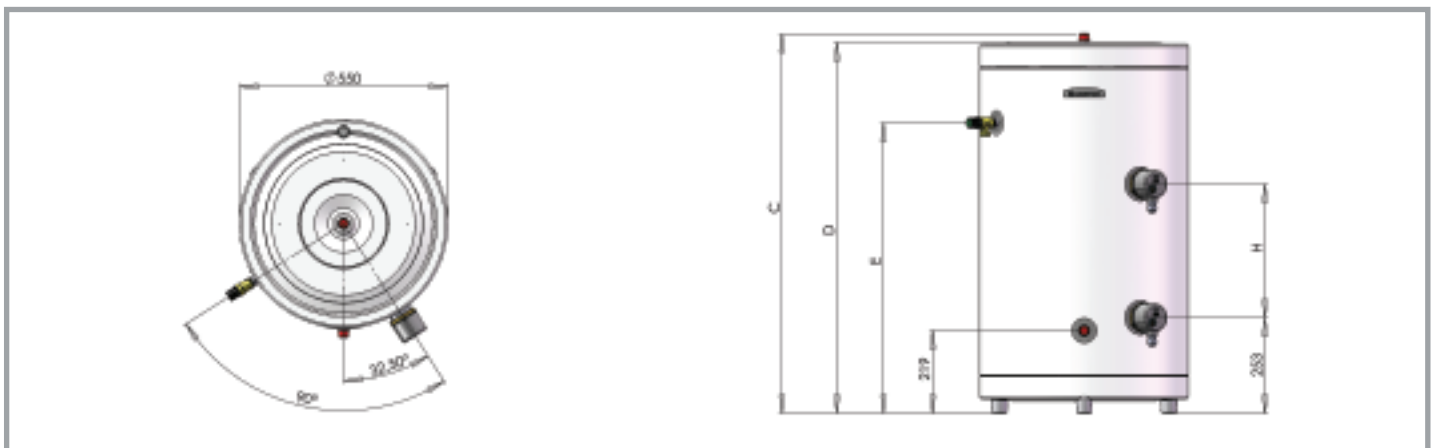
Model		ITD 130	ITD 150	ITD 215	ITD 305
Product Code		3060277 (3826503)	3060278 (3826504)	3060281 (3826505)	3060282 (3826506)
Nominal capacity	l	127	151	212	300
Weight empty	kg	27	30	41	60
Weight full	kg	154	181	253	360
Voltage	V	240	240	240	240
Immersion heater rating	kW	3+3	3+3	3+3	3+3
Reheat time* (ΔT= 45°C)	h:min.	2:46	3:18	4:50	7:19
Reheat time** (ΔT= 45°C)	h:min.	2:03	2:24	3:16	4:56
Max. Working Temp.	°C	70	70	70	70

	ITD 130	ITD 150	ITD 215	ITD 305
c mm	1003	1131	1530	2074
d mm	981	1109	1508	2052
e mm	768	896	1295	1839
h mm	353	431	802	1307
Typical application***	D	E	F	G

\* Based on single heating element 100% capacity  
 \*\* Based on single heating element 70% capacity

\*\*\*Typical application  
 • D: domestic usage < 3 people (kitchen, shower)  
 • E: domestic usage 3/4 people (kitchen, bathroom + shower)

• F: domestic usage 4/5 people (kitchen, 2 bathrooms)  
 • G: domestic usage 5 people (kitchen, 2 bathrooms + shower)



Ariston Thermo UK Ltd  
Ariston Building  
Hughenden Avenue  
High Wycombe  
Bucks HP13 5FT

Fax 01494 459775

Technical Advice & Customer Service  
Fax 01494 463066  
technical.uk@aristonthermo.com  
customer.service.uk@aristonthermo.com  
info.uk@aristonthermo.com

[www.ariston.co.uk](http://www.ariston.co.uk)



**0333 240 6666**  
**Sales**



**0333 240 7777**  
**Technical**



Follow us on  
Facebook & Twitter